

Get Flexible, Comprehensive Testing with FilmArray

The FilmArray System offers an integrated, comprehensive approach to molecular syndromic infectious disease testing. And now, BioFire offers you the flexibility to configure a system ideal for your laboratory or hospital – you choose the instrument quantity, throughput, and overall footprint.

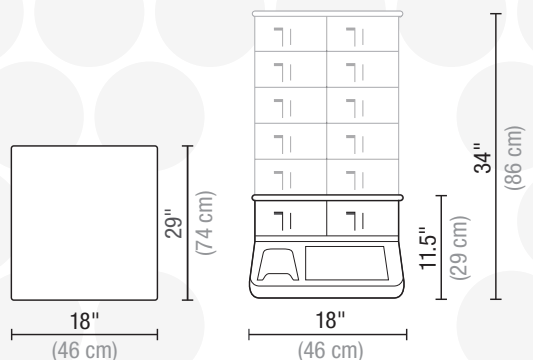
High throughput. Small footprint.

The FilmArray Torch is the latest advancement in molecular infectious disease diagnostics. Providing up to 6 times more sample throughput per square foot of benchtop space¹, the high throughput FilmArray Torch is a fully-integrated, random and continuous access system designed to meet your laboratory's syndromic infectious disease testing needs.



FilmArray Torch

- Radically reduced footprint¹
- Scalable
- Choose from 2 to 12 FilmArray module configurations
- Random and continuous access
- Fully integrated standalone system
- FilmArray Link technology
- Optimized workflow
- Test up to 264 samples per day²



¹ In comparison to existing FilmArray Systems.

² Based on a 24-hour day.

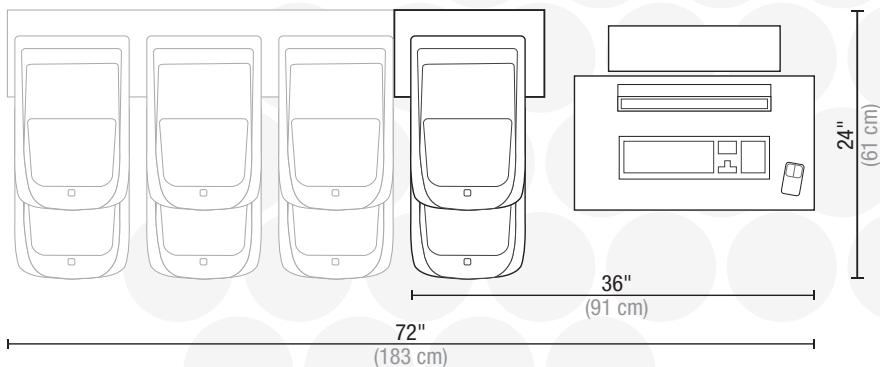
Trusted Performance

The FilmArray 2.0 set the standard of care for in-house syndromic infectious disease testing. Its LIS interfacing capabilities allow automatic upload of patient results and allow you to use up to 8 instruments on just one computer. The 2.0 tests up to 176 samples per day, while using minimal space in your lab.¹



FilmArray 2.0

- High Throughput
- Scalable
- Random Access
- Reduced Footprint
- FilmArray Link Technology
- Single Database Management



Four Comprehensive Panels. One Compact System.

BLOOD CULTURE IDENTIFICATION (BCID)

27 Targets

GASTROINTESTINAL (GI)

22 Targets

MENINGITIS/ENCEPHALITIS (ME)

14 Targets

RESPIRATORY (RP)

20 Targets

¹ Based on a 24-hour day.